



FEATURES

- DC 4-20mA/DC 4-20mA, self powered.
- Isolation: Input to output, between channels.
- DIN rail type.



ORDERING INFORMATION

MODEL:XC-DS-

Input Channels

- 1: 1 Channel
- 2: 2 Channels

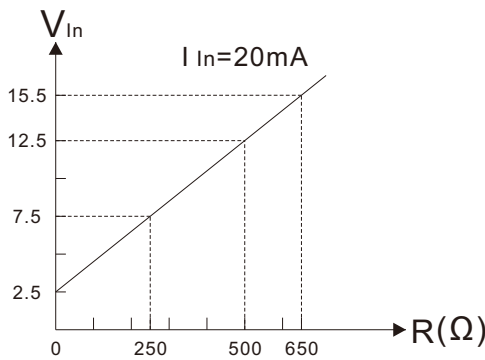
DC Input Range

A4: 4 ~ 20mA

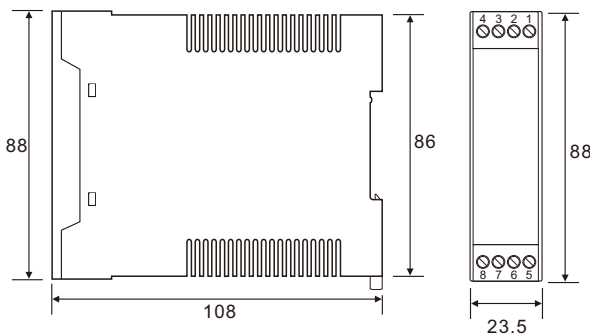
DC Output Range

A4: 4 ~ 20mA

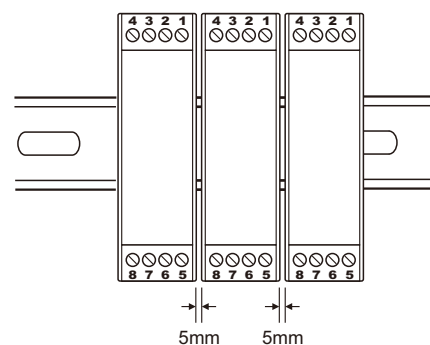
INPUT IMPEDANCE / VOLTAGE DROP



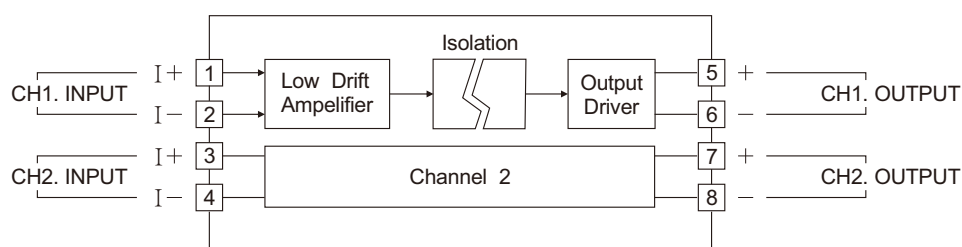
THE OUTSIDE DIMENSION (UNIT: mm)



DEMAND FOR MOUNTING (UNIT: mm)



SCHEMATIC CIRCUITRY & CONNECTION DIAGRAM



SPECIFICATION

Accuracy	± 0.1%RO.
Response time	≤ 50 msec. 0 ~ 99%
Output ripple	≤ 0.5% RO. (Peak)
Load effect	0.02% of Meas. value per 50Ω load
Voltage drop	Approx. 2.5V at 20mA
Operating current	DC 0.5mA ~ 22mA
Load resistance	0 ~ 500Ω
Temperature coefficient	≤ 0.015%/°C
Operating temperature	- 5 ~ 50°C
Storage temperature	-10 ~ 70°C
Max. relative humidity	90%
Isolation	Channel 1/Channel 2/Input/Output
Dielectric strength	AC 1.5KV/min.
		Channel 1/Channel 2 AC 1.0KV/min.
Insulation resistance	≥ 100MΩ, DC 500V
Electrostatic discharge	IEC 61000-4-2.
Electromagnetic fields immunity	IEC 61000-4-3.
Electrical transient in burst	IEC 61000-4-4.
Withstanding impulse voltage	IEC 61000-4-5.
Immunity to voltage dips	IEC 61000-4-11.
Weight	Abt. 100g